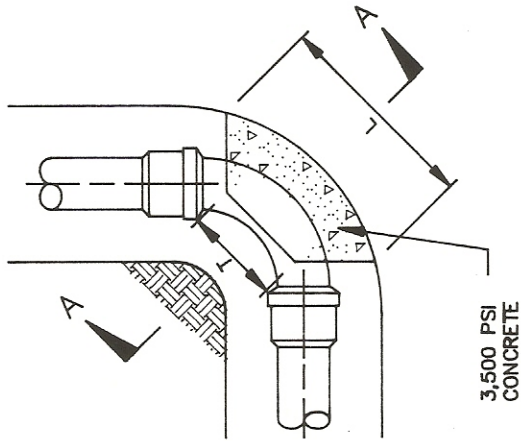
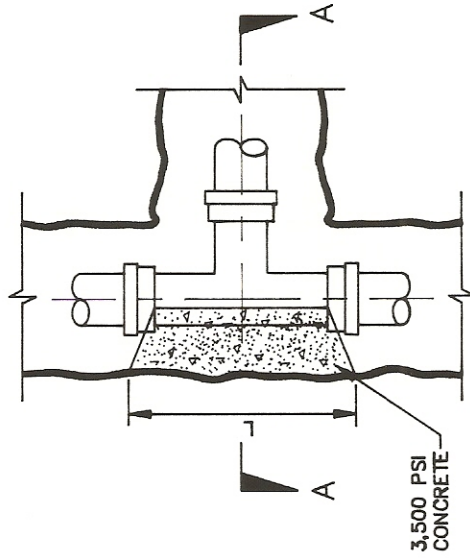


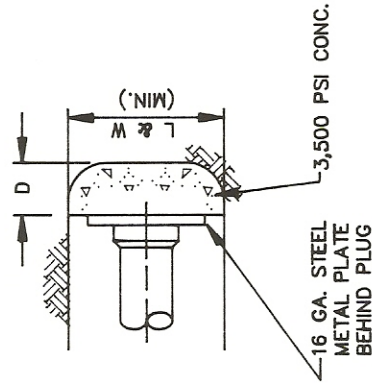
SECTION A-A



45° BENDS



TEES



PLUGS

CONCRETE THRUST BLOCKS

TEES

SIZE	2"	3"	4"	6"	8"	10"	12"	14"	16"	18"	20"
D	6"	6"	6"	8"	10"	10"	12"	14"	16"	18"	20"
L	4"	6"	8"	10"	21"	30"	36"	42"	48"	54"	60"

PLUGS

SIZE	2"	3"	4"	6"	8"	10"	12"	14"	16"	18"	20"
D	6"	6"	6"	6"	6"	6"	6"	12"	24"	28"	32"
L&W	14"	16"	18"	20"	22"	24"	24"	24"	30"	30"	36"

(11 1/4') THIRTY-SECOND BENDS

SIZE	2"	3"	4"	6"	8"	10"	12"	14"	16"	18"	20"
D	6"	6"	6"	8"	10"	12"	12"	12"	16"	18"	20"
L	15"	18"	21"	24"	27"	30"	34"	34"	36"	39"	42"
T	10"	12"	14"	16"	18"	20"	22"	25"	29"	30"	36"

(22 1/2') SIXTEENTH BENDS

SIZE	2"	3"	4"	6"	8"	10"	12"	14"	16"	18"	20"
D	6"	6"	6"	8"	10"	12"	12"	12"	16"	18"	20"
L	15"	18"	21"	24"	27"	30"	34"	34"	36"	39"	42"
T	10"	12"	14"	16"	18"	20"	22"	25"	29"	30"	36"

(45') EIGHTH BENDS

SIZE	2"	3"	4"	6"	8"	10"	12"	14"	16"	18"	20"
D	6"	6"	6"	8"	10"	12"	12"	12"	16"	18"	20"
L	15"	18"	21"	24"	27"	30"	34"	34"	36"	39"	42"
T	10"	12"	14"	16"	18"	20"	22"	25"	29"	30"	36"

(90') QUARTER BENDS

SIZE	2"	3"	4"	6"	8"	10"	12"	14"	16"	18"	20"
D	6"	6"	6"	8"	10"	12"	12"	14"	16"	18"	20"
L	15"	18"	21"	24"	27"	30"	34"	38"	44"	45"	53"
T	10"	12"	14"	16"	18"	20"	22"	25"	29"	30"	36"

THRUST BLOCK SCHEDULE



Quest Engineers, Inc.
Lexington, Kentucky
Louisville, Kentucky

CITY OF PARIS, KENTUCKY
WATER DISTRIBUTION DEPARTMENT

WD-3
CONCRETE THRUST BLOCK

NOT TO SCALE

11-15-91 ISSUE DATE